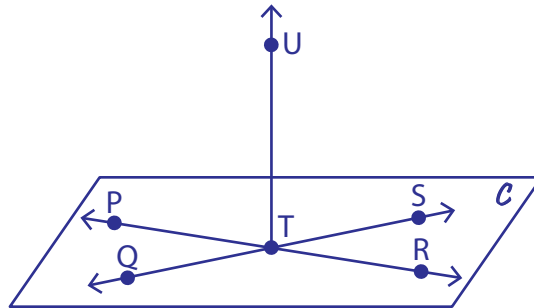


Points, Lines and Planes

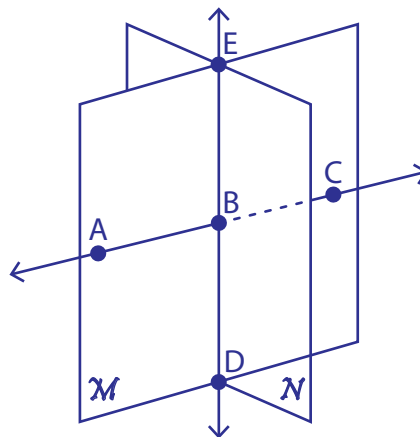
Observe the figure and answer the following.

1)



- a) Which point is collinear with the point Q and point T? _____
- b) Name any two line segments. _____
- c) Write a set of points which are not coplanar. _____
- d) Write the coplanar lines. _____
- e) Name the plane in two ways. _____

2)



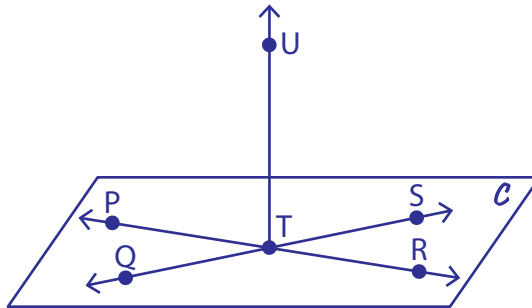
- a) Write all the points on the plane \mathcal{M} . _____
- b) At which line do the planes \mathcal{M} and \mathcal{N} intersect? _____
- c) Write a set of points which are coplanar in plane \mathcal{M} . _____
- d) Which are the points that are not collinear with the points A and B? _____
- e) Name the points on \overleftrightarrow{AC} . _____

Points, Lines and Planes

Sheet 3

Observe the figure and answer the following.

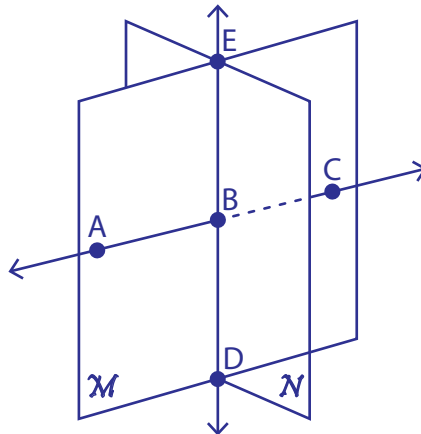
1)



- Which point is collinear with the point Q and point T?
- Name any two line segments.
- Write a set of points which are not coplanar.
- Write the coplanar lines.
- Name the plane in two ways.

Point S **\overline{QT} and \overline{PT}** **Points S, R and U** **\overleftrightarrow{PR} and \overleftrightarrow{QS}** **Plane C and Plane PQRST**

2)



- Write all the points on the plane \mathcal{M} .
- At which line do the planes \mathcal{M} and \mathcal{N} intersect?
- Write a set of points which are coplanar in plane \mathcal{M} .
- Which are the points that are not collinear with the points A and B?
- Name the points on \overleftrightarrow{AC} .

Points A, B, C, D and E **\overleftrightarrow{DE}** **Points A, B and D****Points E and D****Points A, B and C**